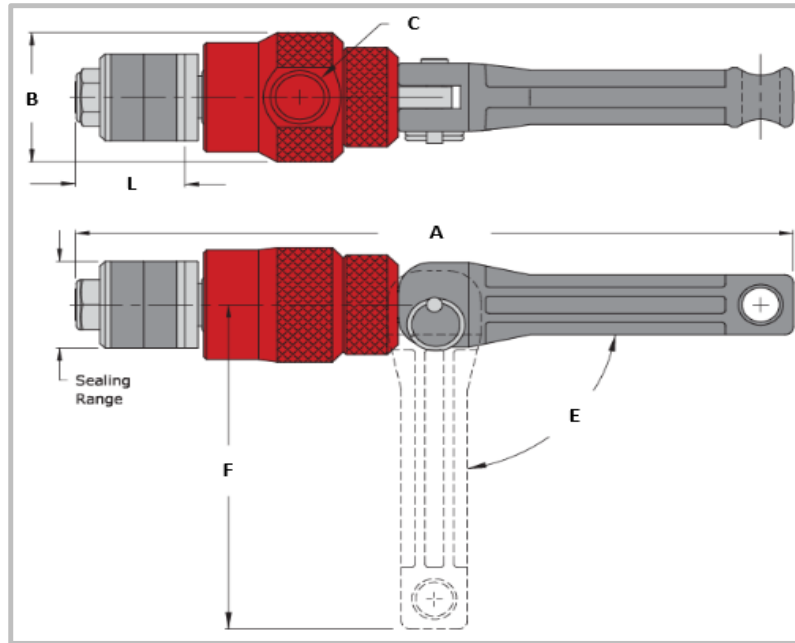


# ZN -serie



Order Code	Quick connector Typ	Fit to internal $\varnothing$	A	$\varnothing B$	C	E	F	L	Flow $\varnothing$	Pressure Range
20030.011.035000	Quick connector ZN1-01	$\varnothing 9,5 - 10,0$ mm.	185,4 mm.	26,95 mm.	1/8" NPT	90° mm.	102,9 mm.	14,5 mm.	2,5 mm.	-1,0 ... +3,5 Bar
20030.011.035100	Quick connector ZN1-11	$\varnothing 10 - 12$ mm.	185,4 mm.	26,95 mm.	1/8" NPT	90° mm.	102,9 mm.	14,5 mm.	2,5 mm.	-1,0 ... +3,5 Bar
20030.011.035200	Quick connector ZN1-12	$\varnothing 12 - 14$ mm.	185,4 mm.	26,95 mm.	1/8" NPT	90° mm.	102,9 mm.	14,5 mm.	2,5 mm.	-1,0 ... +3,5 Bar
20030.011.035300	Quick connector ZN1-13	$\varnothing 14 - 16$ mm.	185,4 mm.	26,95 mm.	1/8" NPT	90° mm.	102,9 mm.	14,5 mm.	2,5 mm.	-1,0 ... +3,5 Bar
20030.011.045000	Quick connector ZN2-21	$\varnothing 16 - 18$ mm.	190,5 mm.	35,1 mm.	1/4" NPT	90° mm.	102,9 mm.	19,6 mm.	4,3 mm.	-1,0 ... +3,5 Bar
20030.011.045100	Quick connector ZN2-22	$\varnothing 18 - 20$ mm.	190,5 mm.	35,1 mm.	1/4" NPT	90° mm.	102,9 mm.	19,6 mm.	4,3 mm.	-1,0 ... +3,5 Bar
20030.011.045200	Quick connector ZN2-23	$\varnothing 20 - 22$ mm.	190,5 mm.	35,1 mm.	1/4" NPT	90° mm.	102,9 mm.	19,6 mm.	4,3 mm.	-1,0 ... +3,5 Bar
20030.011.055000	Quick connector ZN3-31	$\varnothing 22 - 24$ mm.	205,8 mm.	38,1 mm.	1/4" NPT	90° mm.	102,9 mm.	30,5 mm.	6,6 mm.	-1,0 ... +3,5 Bar
20030.011.055100	Quick connector ZN3-32	$\varnothing 24 - 26$ mm.	205,8 mm.	38,1 mm.	1/4" NPT	90° mm.	102,9 mm.	30,5 mm.	6,6 mm.	-1,0 ... +3,5 Bar
20030.011.055200	Quick connector ZN3-33	$\varnothing 26 - 28$ mm.	205,8 mm.	38,1 mm.	1/4" NPT	90° mm.	102,9 mm.	30,5 mm.	6,6 mm.	-1,0 ... +3,5 Bar
20030.011.065000	Quick connector ZN4-41	$\varnothing 28 - 30$ mm.	208,3 mm.	41,4 mm.	3/8" NPT	90° mm.	102,9 mm.	31,8 mm.	7,1 mm.	-1,0 ... +3,5 Bar
20030.011.065100	Quick connector ZN4-42	$\varnothing 30 - 32$ mm.	208,3 mm.	41,4 mm.	3/8" NPT	90° mm.	102,9 mm.	31,8 mm.	7,1 mm.	-1,0 ... +3,5 Bar
20030.011.065200	Quick connector ZN4-43	$\varnothing 32 - 34$ mm.	208,3 mm.	41,4 mm.	3/8" NPT	90° mm.	102,9 mm.	31,8 mm.	7,1 mm.	-1,0 ... +3,5 Bar